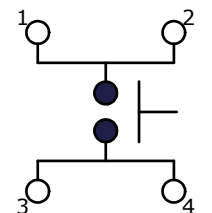


P.C.B. LAYOUT

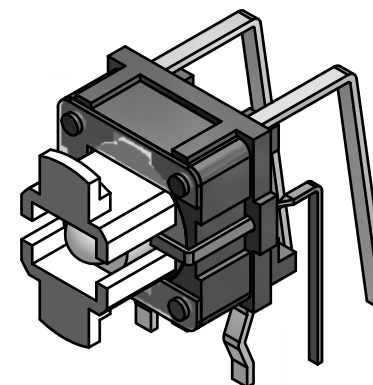


CIRCUIT: SPST

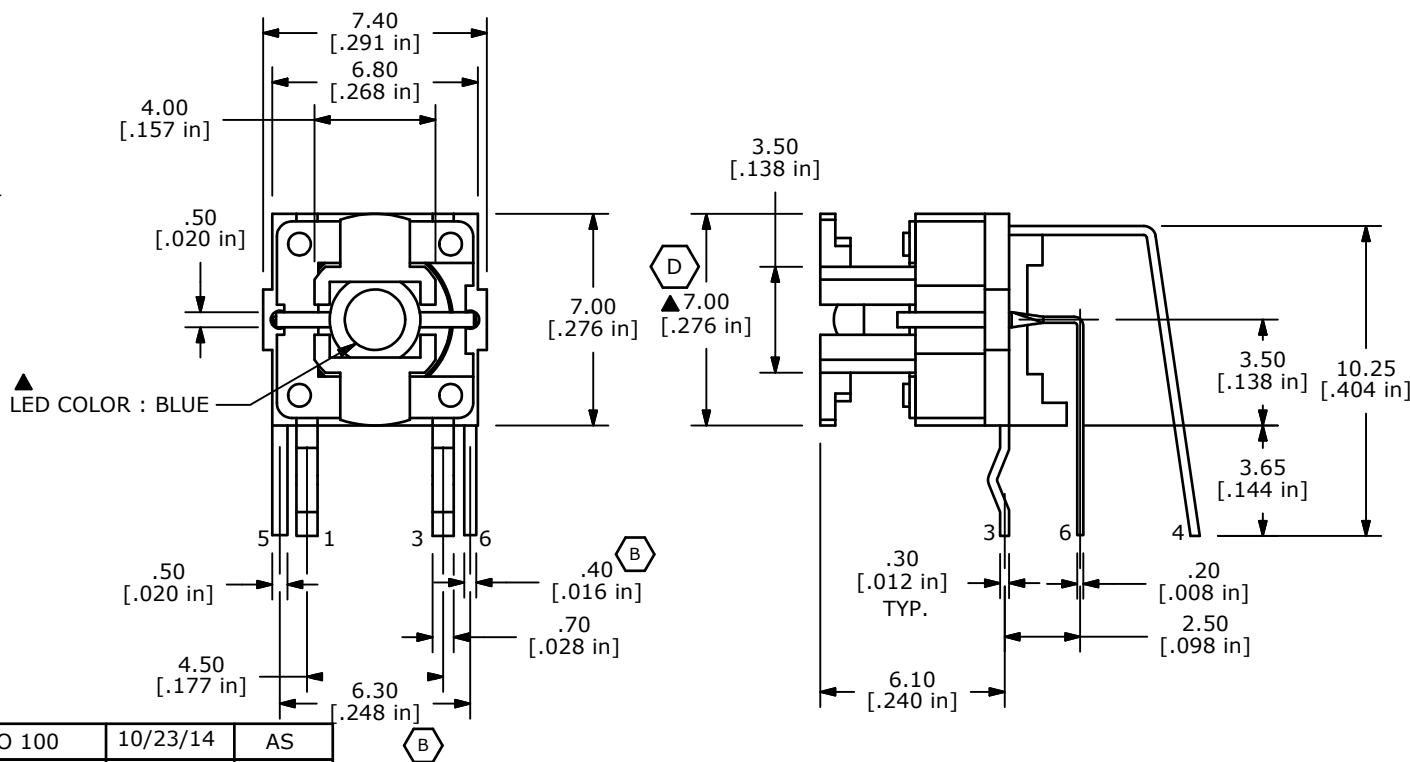
NOTES:

1. ALL DIMENSIONS IN MM [INCH]
2. GENERAL TOLERANCE: X.X=±0.4
X.XX=±0.25
3. RATING: 12VDC @ 50mA
4. CONTACT RESISTANCE: 100mΩ MAX.
5. INSULATION RESISTANCE: 100MΩ MIN.
- ▲6. OPERATING FORCE: 160±50gf
7. TRAVEL: 0.2±0.1mm
8. OPERATING TEMPERATURE: -20°C TO 70°C
9. OPERATING LIFE 500,000 CYCLES C
- ▲10. LED COLOR: BLUE
11. ▲ DENOTED CRITICAL PARAMETER
12. 2002/95/EC (ROHS) COMPLIANT
13. PACKAGE: 100 PIECES PER TRAY E

LED SPECS	UNITS	BLUE
FORWARD CURRENT	mA	20 TYP.
FORWARD VOLTAGE	V	2.9 TYP. - 4.0 MAX.
LUMINOUS INTENSITY	MCD	150 TYP.



ISOMETRIC



LED COLOR : BLUE

E	21663	CHANGED NOTE 13 FROM 10 TO 100	10/23/14	AS
D	21025	ADD ACTUATOR HEIGHT DIMENSION	2/12/13	EBP
C	19956	CORRECT NOTES / LED CHART / DIM	05/20/11	BMA
B	19542	UPDATE DRAWING	12/21/10	BGL
A	19122	RELEASED FOR PRODUCTION	6/7/10	BLR
REV	PCR NO	DESCRIPTION	DATE	BY

THE INFORMATION CONTAINED IN THIS DOCUMENT IS PROPRIETARY TO E-SWITCH AND IS NOT TO BE COPIED OR TRANSFERRED



TITLE TL1260BQ NO CAP

SCALE	DATE	DR	DWG	REV
4:1	6/7/2010	BLR	B200014	E